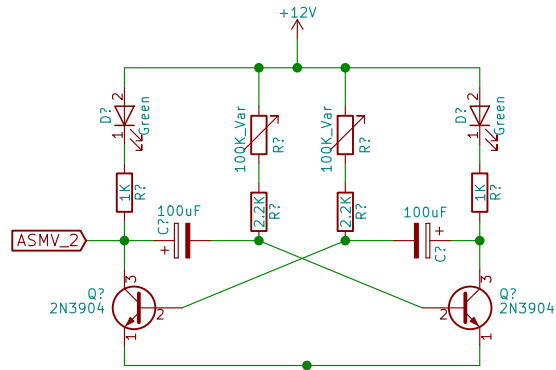
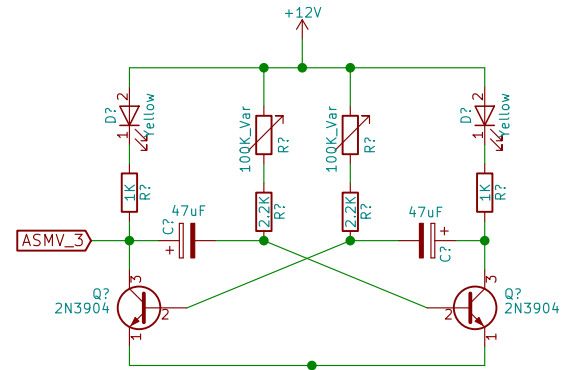


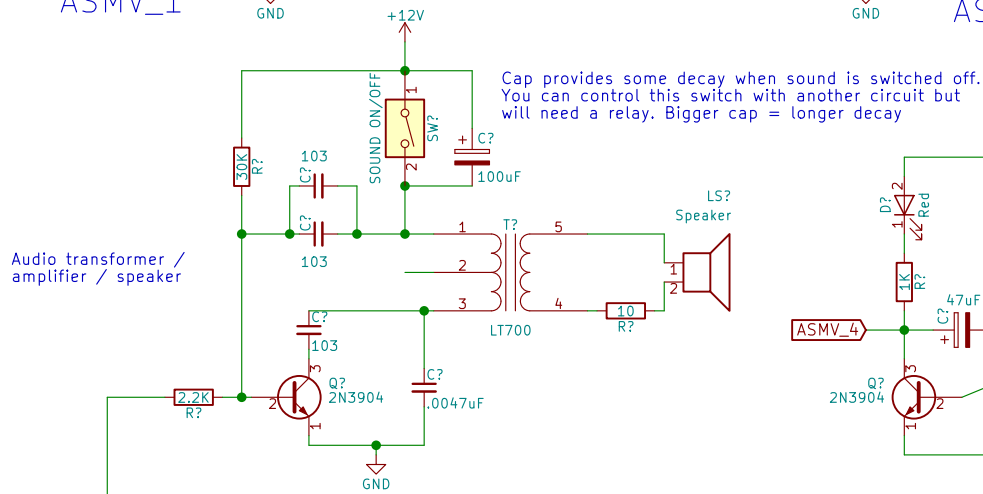
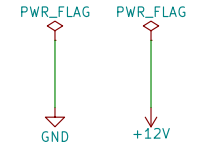
ASMV_1



ASMV_2

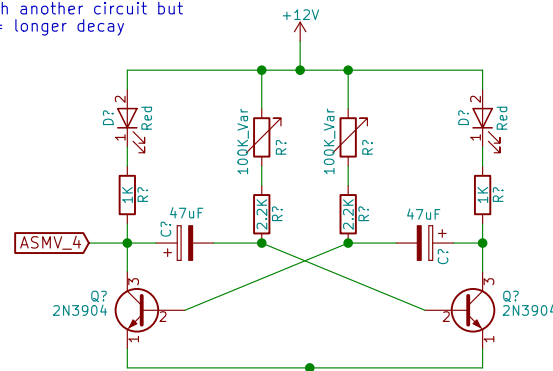


ASMV_3

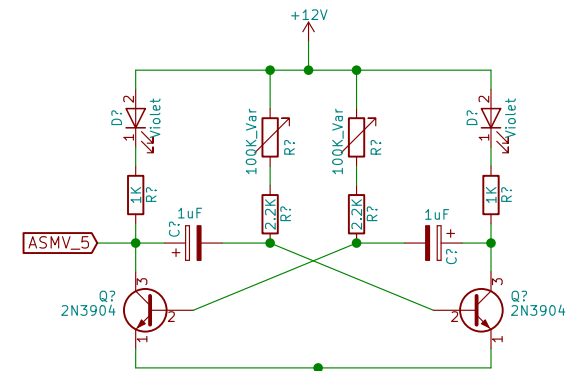


Audio transformer / amplifier / speaker

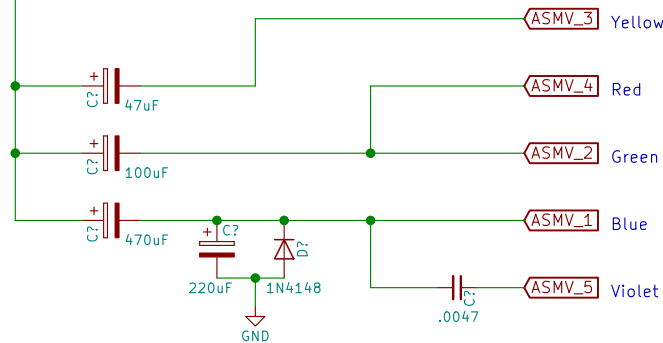
Cap provides some decay when sound is switched off. You can control this switch with another circuit but will need a relay. Bigger cap = longer decay



ASMV_4



ASMV_5



(Color of the LEDs and wires used to identify each ASMV)

Circuit generates an adjustable bird song

Kelly Heaton Studio

Sheet: /

File: Breadbird_1.sch

Title: Deep Fake Birdsong

Size: A4 Date: February 2020

KiCad E.D.A. kicad 4.0.7

Rev: 1

Id: 1/1